

Ascential

Technologies | Test & Measurement Systems

Certus

Automatic evacuation
and refrigerant charging
equipment for flammable
gases, HFC and HCFCs

 Galileo



Certus C, a flexible and safe refrigerant charging system for both flammable and non-flammable gases in the HVACR market. Particularly suited for small/medium production rates. The machine utilizes a self-diagnostic system that automatically performs circuit evacuation, vacuum check, leak tests and refrigerant charge.

Certus T is particularly indicated for big charges of flammable gases (R290, R32, R600) at a small/medium cadence and it uses a volumetric turbine flow meter with special sensors (temperature + pressure) to control in real-time the volume and the mass during the injection phase.

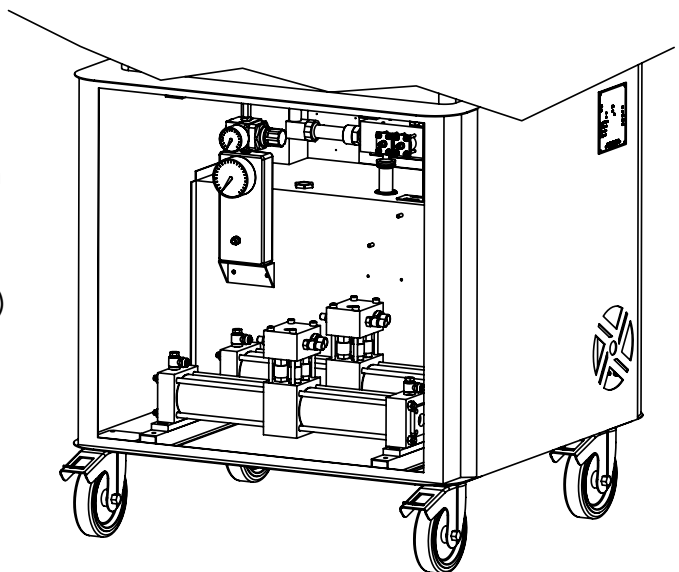


Flexible

Certus C offers a wide range of advantages: Depending on the application the **customer can charge flammable gases with or without a transfer pump** (to be assessed).

The GDC TECHNOLOGY (Galileo Dosing Cylinder) utilizes a metering device that acts under certain applications as a transfer pump granting:

- ▲ The best reliability
- ▲ The most accurate dosage
- ▲ The highest safety

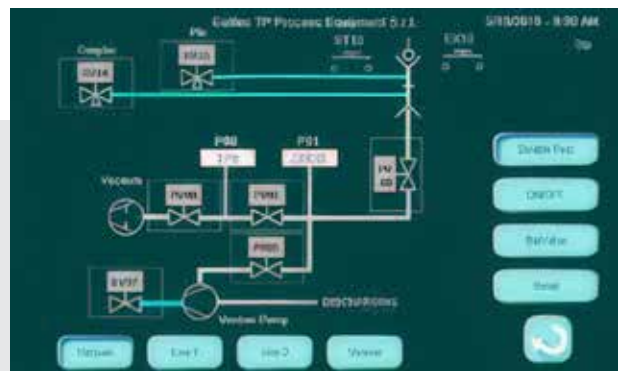
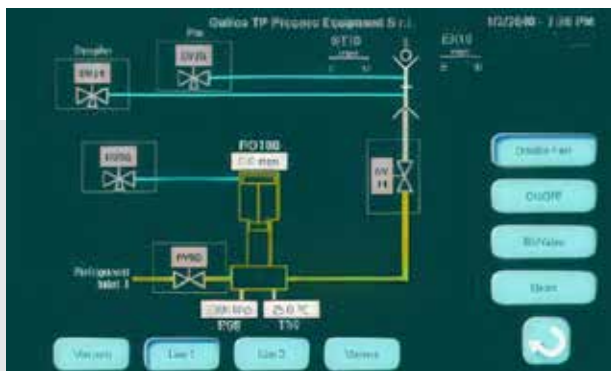


The Cobra E Filler Gun

The advanced filler gun allow customers to work in the safest possible conditions with **zero gas release upon disconnection**, further promoting a safe environment.

Important additional features include:

- ▲ Easy to reverse to overhead position
- ▲ Valve protection shield
- ▲ Easy to disassemble and maintain
- ▲ Manage up to two gases with only one filler gun



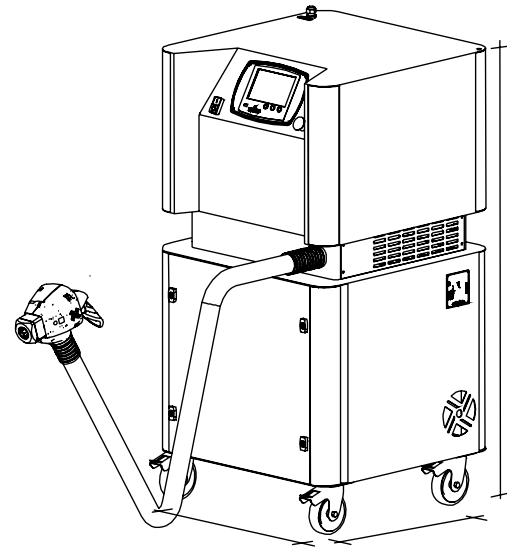
Icon User Interface

Capacitive color touch screen LCD 7" high brightness designed for industrial environment with extreme temperatures and high humidity. Durable, dirt-resistant and very responsive.

The machine also features a new Galileo PC board with an updated interface IUI 2015, a user-friendly icon based menu and Ethernet port.

The Certus can be easily integrated with the **GEDA (Galileo Equipment Data Acquisition)** system for data acquisition, statistics and remote programming, including external supervision of the line.

Number of charging fillers	Up to 2
Metering device	Up to 2 volumetric dosing cylinder with single effect or volumetric turbine meters
Length of the fillers	3.5 meters (<i>others on request</i>)
Programmable cycles number	200 (<i>more on request</i>)
Programmable barcodes number	1000 (<i>more on request</i>)
MEASUREMENT UNITS	
Weight	g , oz
Vacuum	Pa , μHg, mbar
Pressure	kPa , psi, bar
Temperature	°C , °F
Time	s
Vacuum pump	Double stage, 18 m³/h
Pump final vacuum	<1×10 ⁻² Pa (1×10 ⁻⁴ mbar)
Dimensions (H x W x P)	1350 × 700 × 700 mm
Weight	224 kg (<i>model C12</i>)
Work temperature	+0 ÷ +50 °C
Storage temperature	-25 ÷ +70 °C
Electric supply tension	230-400 V 50 Hz 3 ph (<i>other on request</i>)
Power consumption	900 W
Connection type to the group	¼" Hansen (<i>other on request</i>)
Compressed Air	600 ÷ 800 kPa (6 ÷ 8 bar)
Noise Level	< 70 dB (A)
Refrigerants	HC, HCFC, HFC
Refrigerant supply pressure	1000 ÷ 2500 kPa (<i>according to refrigerant type</i>)
Programmable Charge	10 ÷ 99999 g
Minimum charging increase	0.1 g
Accuracy (HC)	± 0.5 g for charges < 100 g ± 0.5 % for charges >100 g
Accuracy (HFC)	± 1.0 g for charges < 200 g ± 0.5 % for charges > 200 g
Charge speed (HC) (HFC)	Up to 25 g/s / up to 40 g/s (For Certus T) Up to 45 g/s / up to 70 g/s (For Certus T)
Data visualization	Color touch screen LCD 7"
Interfaces	RS-232 for bar code reader RS-232 for printer/PC RS-485 Ethernet communication for download data



AVAILABLE MODELS

Model	Number of filler	Number of metering device
Certus 11	1	1
Certus 12	1	2
Certus T11	1	1
Certus T22	2	2



Certifications

Certus complies with European standards and it is certified by **TUV**.



Technologies | Test & Measurement Systems

+39 055 722 13 58 | sales@galileotp.com

galileotp.com

Impossible? **Done.**